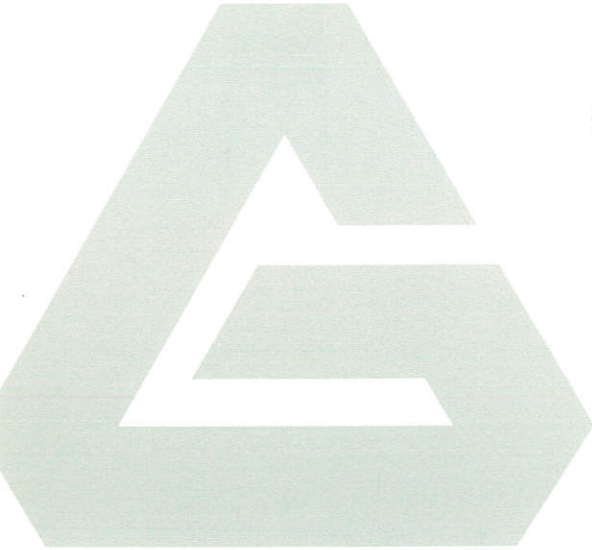


SAKAI®

HV/HS

Series

Light Equipment



HV51ST

HV61ST

HV80ST

HV80

HS67ST

Walk-behind Roller

Easy to handle and highly efficient for compaction of soil and asphalt on all types of job sites

High efficiency

- Small wall clearance and ample curb clearance allows the closest possible approach to any obstacles.
- Easily adjustable sprinkler system and wide water pipes splashes water onto both drums from edge to edge.
- All commands for operating the machine are centralized and can be made from the operation handle. HS model is equipped with a power steering system using single switch operation allowing 15 degree turning angle to both sides.

Safety provisions

- Pin lock system on handle provide safety when handle is folded.
- Positive pin lock brake is provided for parking.

Easy maintenance

- Easy water tank filling and draining is possible with large diameter water cap and chained drain plug at the bottom.
- Open type side guard protects the engine from obstacles and allows easy access for maintenance of the engine.



Our communication mark "G" represents SAKAI's compact machines, which offer Growth and concern for the Green environment, on a Global Ground.



● HS67ST (Power steering model)



- Left: Centralized operation handle (HV Type)
- Right: Steering switch (HS Type)

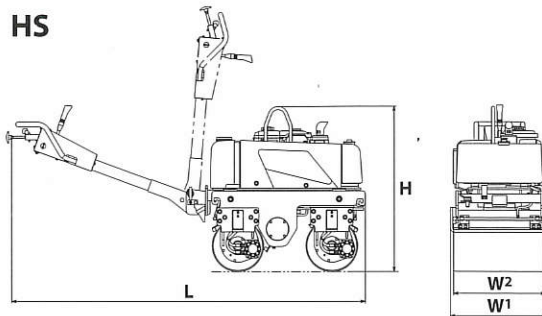
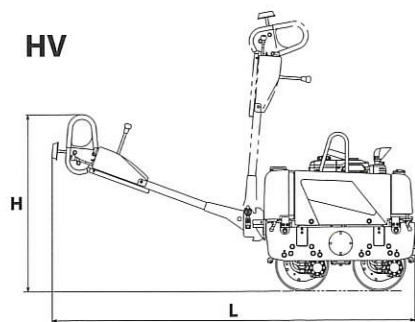


● Large diameter of water cap

See in detail at Sakai Web site

www.sakainet.co.jp

HV/HS Series



Specifications

Model		HV51ST	HV61ST
Weights	kg (lb)	620 (1365)	660 (1455)
Dimensions	Overall Length L	2430 (96)	2430 (96)
	Overall Width W¹	640 (25)	680 (26.5)
	Overall Height H	1185 (47)	1185 (47)
	Compacting Width W²	595 (23.5)	635 (25)
Performance	Frequency	55 (3300)	55 (3300)
	Centrifugal Force	9.8 (1000) 2205	11.8 (1200) 2655
	Work Speed	0 - 3.5 (0 - 2.2)	0 - 3.5 (0 - 2.2)
	Gradability	38 (21)	38 (21)
Power Line		Hydrostatic Type	Hydrostatic type
Vibrating System		Eccentric shaft type	Eccentric shaft type
Brake System		Mechanical, pin lock type	Mechanical, pin lock type
Rolling System		Tandem type both drum drive	Tandem type both drum drive
Engine	Model	KUBOTA E75-ENB3	KUBOTA E75-ENB3
	Type	Water-cooled 4cycle diesel	Water-cooled 4cycle diesel
	Max. Output	4.8 (6.5) / 2500	4.8 (6.5) / 2500
	Starting System	Electric Start	Electric Start
Fuluid Capacity	Fuel Tank	4.8 (1.3)	4.8 (1.3)
	Sprinkler (Gravity)	30 (7.9)	30 (7.9)
Front Lighting System		○	○
Power Steering		-	-

Model		HV80ST	HV80
Weights	kg (lb)	780 (1720)	760 (1675)
Dimensions	Overall Length L	2620 (103)	2620 (103)
	Overall Width W¹	770 (30.5)	770 (30.5)
	Overall Height H	1180 (46)	1180 (46)
	Compacting Width W²	710 (28)	710 (28)
Performance	Frequency	55 (3300)	55 (3300)
	Centrifugal Force	15.7 (1600) 3525	15.7 (1600) 3525
	Work Speed	0 - 3.5 (0 - 2.2)	0 - 3.5 (0 - 2.2)
	Gradability	38 (21)	38 (21)
Power Line		Hydrostatic type	Hydrostatic type
Vibrating System		Eccentric shaft type	Eccentric shaft type
Brake System		Mechanical, pin lock type	Mechanical, pin lock type
Rolling System		Tandem type both drum drive	Tandem type both drum drive
Engine	Model	KUBOTA EA8-NB	KUBOTA EA8-N
	Type	Water-cooled 4cycle diesel	Water-cooled 4cycle diesel
	Max. Output	5.8 (7.7) / 2500	5.8 (7.7) / 2500
	Starting System	Electric Start	Manual Start
Fuluid Capacity	Fuel Tank	7.5 (2.0)	7.5 (2.0)
	Sprinkler (Gravity)	40 (10.6)	40 (10.6)
Front Lighting System		-	-
Power Steering		-	-

Model		HS67ST
Weights	kg (lb)	750 (1655)
Dimensions	Overall Length L	2475 (97)
	Overall Width W¹	685 (27)
	Overall Height H	1155 (45)
	Compacting Width W²	635 (25)
Performance	Frequency	55 (3300)
	Centrifugal Force	11.8 (1200) 2655
	Work Speed	0 - 3.5 (0 - 2.2)
	Gradability	38 (21)
Power Line		Hydrostatic Type
Vibrating System		Eccentric shaft type
Brake System		Mechanical, pin lock type
Rolling System		Tandem type both drum drive
Engine	Model	KUBOTA E75-ENB3
	Type	Water-cooled 4cycle diesel
	Max. Output	4.8 (6.5) / 2500
	Starting System	Electric Start
Fuluid Capacity	Fuel Tank	4.8 (1.3)
	Sprinkler (Gravity)	30 (7.9)
Front Lighting System		-
Power Steering		○

* Specifications are subject to change without notice.

* Max. Output shows Maximum output in catalogue of engine manufacturer. It does not always mean max. under operation of the machine.



SAKAI HEAVY INDUSTRIES, LTD. obtain the certification of quality management system ISO9001.



SAKAI HEAVY INDUSTRIES, LTD.

HEAD OFFICE: 1-4-8, SHIBA DAIMON, MINATO-KU, TOKYO JAPAN

TELEPHONE: +81-3-3431-9971

FACSIMILE: +81-3-3436-6212